

HPRL



HIGH POWER RINGLIGHT FOR MICROSCOPY

FOCUS ON USABILITY

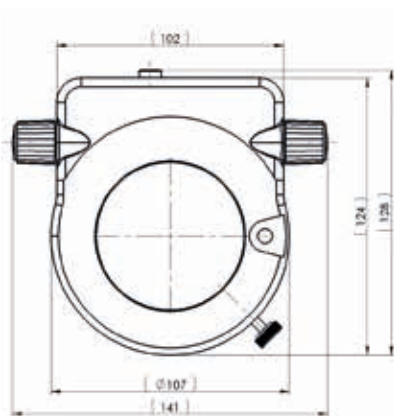
- ▼ Fully integrated control – no controller box required
- ▼ Ergonomic operation
- ▼ High brightness – homogenous spot
- ▼ Adjustable working distance (45-130mm and 80-300mm)
- ▼ Continuous dimming from 1 – 100% (flicker-free)
- ▼ Individual segment control
- ▼ Autorotation with variable speed
- ▼ High-quality scratch-resistant varnish
- ▼ Passive cooling with minimum heat generation
- ▼ Reproducible settings and comprehensive functions
- ▼ Right- and left-hand operation
- ▼ Remote control via USB, Bluetooth or footswitch (optional)



HIGH POWER RINGLIGHT

Technical Data:

LED	8 High Power LEDs
Color temperature	5800K
Life time L ₇₀	ca. 25.000h
Working distance	Near field position of the lens: 45-130mm Far field position of the lens: 80-300mm
Brightness	210kLux at 50mm near field position 170kLux at 90mm far field position
Illumination spot	Ø45mm at 50mm working distance
Brightness control	Continuous dimming between 1-100%
Segment control	Half-, quarter- und eighth circle
Autorotation	Adjustable speed
Control	Separate ON-/OFF switch Pressure and rotation regulator
Optics	Manual switch between near and far field operation
Mounting	Compression fitting for objectives with 66mm diameter
Power supply	24V DC wide range power supply 100-240V, 50-60Hz
Power consumption	8 Watt
Accessories	Polarization filter, diffusor, adaptors for various objective diameters
Rear connections	DC connection, ESD connection
Footswitch 3,5mm jack plug	Remote version only
USB type C plug	Remote version only
Bluetooth connection	Remote version only
Dimensions (WxDxH)	107x128x31mm
Weight	300g (without power supply)
Operating conditions	10-40°C, max. 75% relative humidity at 35°C, max. 2000m sea level, 800-1060hPa,
Storage and transport	-40°C to +70°C, max. 75% relative humidity at 35°C not condensing
Transport	-40°C to +70°C
Conformity (CE)	EMV guideline 2014/30/EU Low Voltage Directive 2014/35/EU for power supply RoHS 2011/65/EU



Version: 07.2017