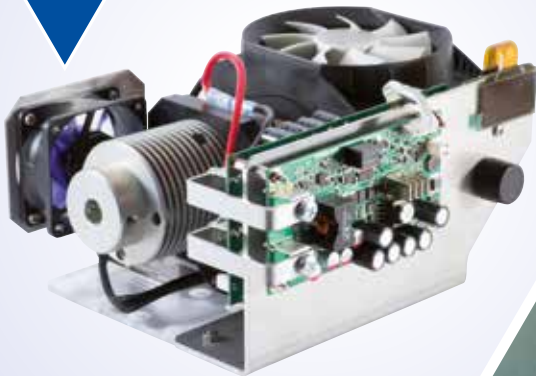


**F6000
M**



THE BRIGHTEST FIBER-OPTIC LED LIGHT SOURCE FOR MEDICAL AND INDUSTRIAL APPLICATIONS

FOCUS ON USABILITY

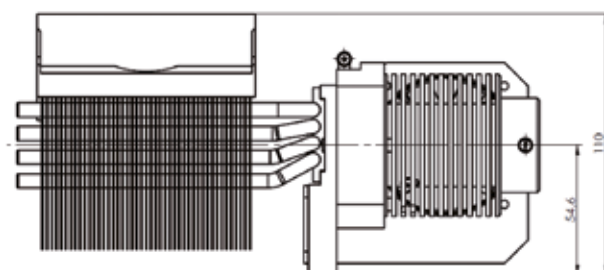
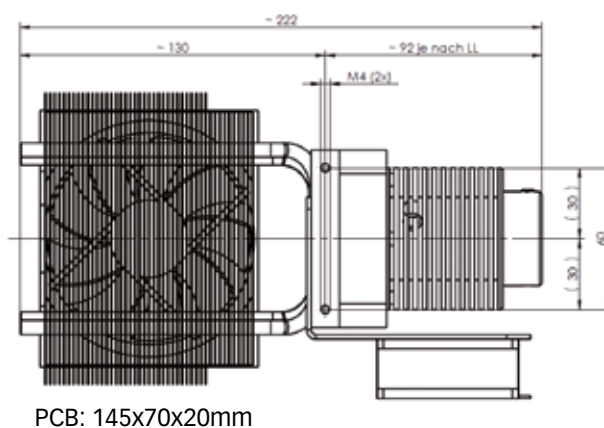
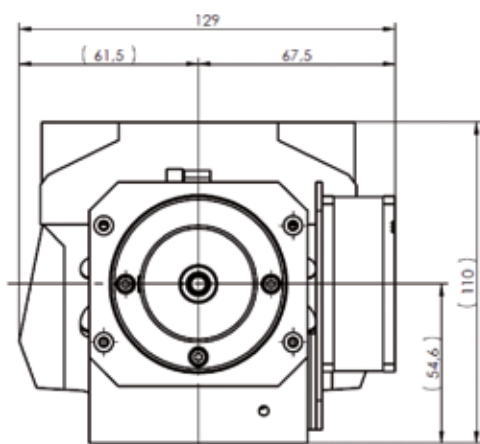
- ▼ Up to 2300 Lumen at the fiber output
- ▼ Easily customizable connector
- ▼ Light guide coupling optimized for 5mm
- ▼ Light intensity higher than 300W xenon light sources
- ▼ Modular adoption to customer requirements
- ▼ Continuous dimming from 0 – 100% (flicker-free)
- ▼ High-quality LED current driver → perfectly suited for camera applications
- ▼ Minimum sound emission due to smart fan regulation
- ▼ Firmware updates via USB
- ▼ Fail-safe operation



FIBER-OPTIC LED LIGHT SOURCE

Technical Data:

Brightness	Up to 2300 Lumen at fused fiber output Ø 4.7mm, length 1800mm
Color temperature	6500K
Color rendering index	CRI ~ 70
Life time L ₇₀	25.000h
Fiber diameter max.	5mm
Light guide connector	Optional customer specific light guide connector Typ CF (cardiac floating)
Light barrier	Automatic shut down when light guide is removed
Brighthness regulation	Analog dimming from 0-100%
Current driver	High-quality LED current driver with low ripple
Connections	USB, RS232
Power supply	24V DC wide range power supply 100-240V, 50-60Hz (not included)
Power consumption	120 Watt (without booster print)
Cooling	Low noise axial fan (temperature regulated) Air channel for cooling is required
Dimensions (WxDxH)	129x222x110mm
Weight	approx. 1,8kg (without power supply)
Operating conditions	10-40°C, max. 80% relative humidity, max. 2000m sea level
Storage and transport	-25°C to +70°C, max. 80% humidity not condensing



Version: 10.2017